

Craft Leftovers

Project Basket Breakdown

I think at one point or another we have all come across project baskets like this and have been saddened about their disrepair. How to fix them back up again. I'll walk you through how I fixed up my own and the pattern for remaking your own.

There will also be some ideas on how to remake your own basket: How to deconstruct the fabric and make a pattern from it.

Ingredients:

1 vintage project basket frame (remove fabric if you

Cut one of each in outer fabric:

12 1/2" X 34"

8 1/2" X 30"

Cut one of each in liner fabric:

12 1/2" X 28"

9 1/2" X 26"

Sewing needle

Thread to match

Scissors



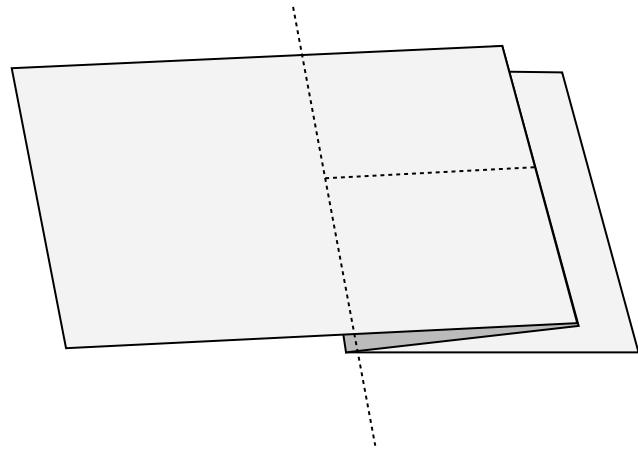
Step 1: Clean up the Frame

If you have fabric on your frame, go ahead and take it off, clean up the frame, spray paint it if you are feeling in the mood for a color change. Save the fabric and keep the pieces as in tack as possible if you are planning on making a pattern from the original basket pattern.

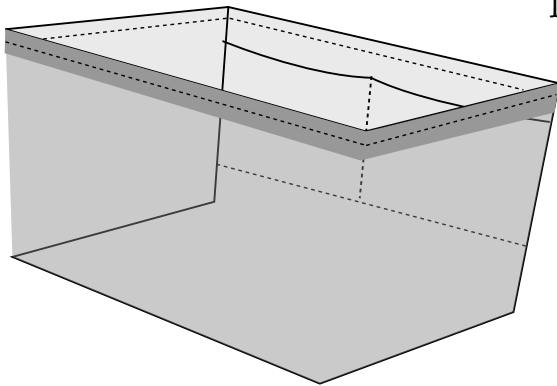
Step 2: Liner

The basket liner is probably the easiest part. First, use the 12 1/2" X 34" piece of fabric. Fold the fabric as in the diagram to the right so the folded pocket is 5" and the top edge above the pocket measures 1 1/2".

Sew the liner together to the second piece like so:



liner pocket - made from on long piece of fabric



liner made from two pieces of fabric, the one piece is three sides and the other is one side and the bottom (the later being the one with the pocket)

the raw edge of the short side. Place the narrower piece into the long piece as in the diagram and stitch the four sides together. Your basket should now stay upright on its own.

Step 5: Finishing Up!

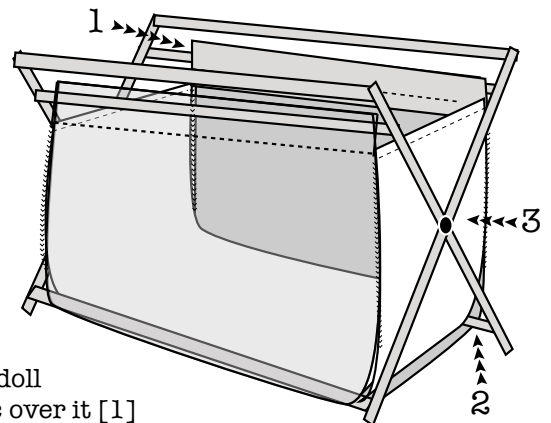
Place the liner into the outer basket and stitch along the top edge. That will just about do it! Load it up with projects and enjoy!

Step 3: Outer Fabric Prep

Prep the outer fabric by sewing a 1/2" hem along the long sides of each piece and along the short sides of the 8 1/2" X 30" piece.

Step 4: Outer Fabric Assembly

Place the 12 1/2" X 34" fabric into the frame and place the short ends into the top rods so they overlap by 2 inches. Stitch along



the outside fabric is attached directly to the frame.

First I stitched the long piece of fabric to the two doll rods, by folding the fabric over it [1] and letting the fabric go around the two bottom doll rods [2].

Second I fit the narrower fabric into the first piece and stitched the four sides together [3]

Deconstructing Your Own Basket:

You may already have a basket that's a different size or maybe you just want to replace the liner. Here are some tips for writing up your own pattern:



1. When taking the fabric off the frame, make sure to keep track of how the pieces go together. If the fabric is in good enough condition, iron it and make your pattern by tracing the shape onto butcher's paper/newsprint/tissue paper and use that to cut your new fabric.
2. If the fabric you have taken off the frame is in bad repair, measure each piece and cut your new pieces to match that. They should be all rectangles, so it won't be too hard to cut them out without a template.
3. When ripping out the seams, be careful and try to preserve the fabric. Do a drawing of how the pieces go together and make notes about the seam allowances too.
4. If you are making your own frame, make the fabric basket first and sew it together on the machine. Then slip it onto the frame before doing the final glue together. Looking at my frame, there are 3/4" doll rods for the two top rods, 1/2" for the cross bars, and 3/8" for the rods that the fabric is supported on.